

# HWAM063T-1

## MANUAL OPERATING TABLE



# HWAM063T-1

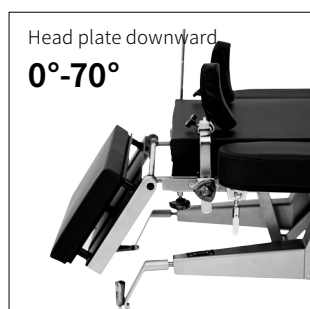
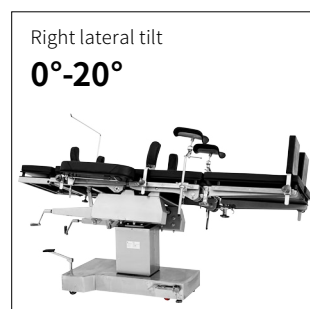
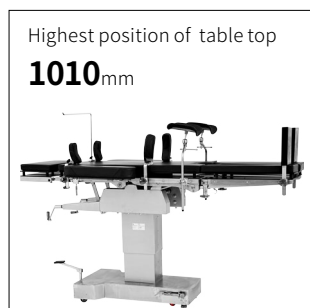
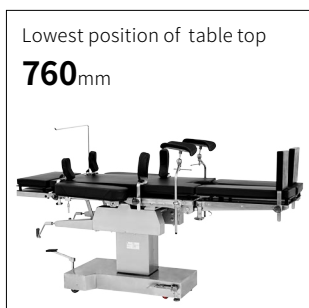
## FEATURES AND HIGHLIGHTS

### Technical parameters

External size (LxWxH):	2020x500x(760-1010)mm
Reverse trendelenburg/trendelenburg:	25°/25°
Lateral tilt left/right:	20°/20°
Head plate up/down:	45°/-70°
Back plate up/down:	75°/-15°
Leg plate:	90°
Kidney bridge elevation:	0-110mm
Safe working load:	250kg

### Technical configuration

<input checked="" type="checkbox"/> Bed frame	1pc
<input checked="" type="checkbox"/> Mattress	1set
<input checked="" type="checkbox"/> Anesthesia screen frame	1pc
<input checked="" type="checkbox"/> Shoulder holder with cushion	2pcs
<input checked="" type="checkbox"/> Arm holder with cushion	2pcs
<input checked="" type="checkbox"/> Leg support with cushion	2pcs
<input checked="" type="checkbox"/> Foot support with cushion	2pcs
<input checked="" type="checkbox"/> Kidney bridge handle	1pc



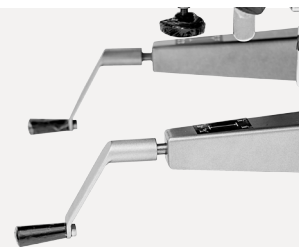
**Material**

The base seat and upright column covering are made of high quality 304 stainless steel, which is anti-corrosive and can be easily cleaned.



**Function**

Various actions are controlled by hydraulic pneumatic system and mechanical driven system, all the adjustments of the table are performed on head of the table.



**Foot treadle brake device**

Foot treadle brake device which is easily for moving operating table.



**Special functions**

With re-flexion function.



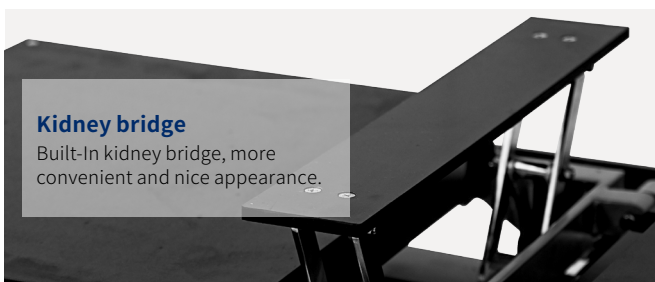
**Foot step hydraulic elevating**

Foot step hydraulic elevating, Imported Y type sealing ring and is durable.



**Kidney bridge**

Built-In kidney bridge, more convenient and nice appearance.



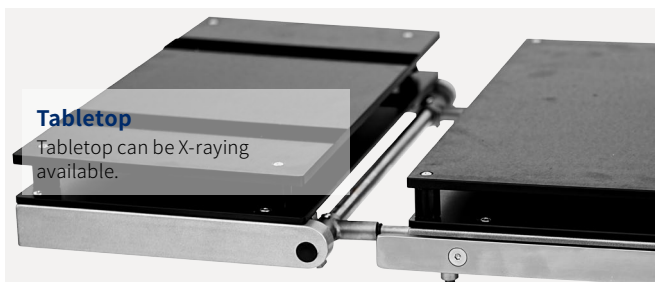
**Mattress**

Removable memory mattress. Good resilience, anti-static, antibacterial, impact resistant.



**Tabletop**

Tabletop can be X-raying available.



**Leg board**

Leg board can be folded down by adjusting the small handle. Leg board down: max. to 90°.



**Accessories**

Equipped with stainless steel screen frame and other various accessories.



# Healthward<sup>®</sup>

As the circumstance of printing, the photos might have minor difference on color, tactile from real products.  
As the update of design and improvement, parameters and outlook of products might change, thanks for understanding.



 17800 CASTLETON ST STE 180.CITY OF INDUSTRY CA 91748

 +1 (603) 416-3063 ·  24/7

 export@health-ward.com

 www.health-ward.com



General catalogue