

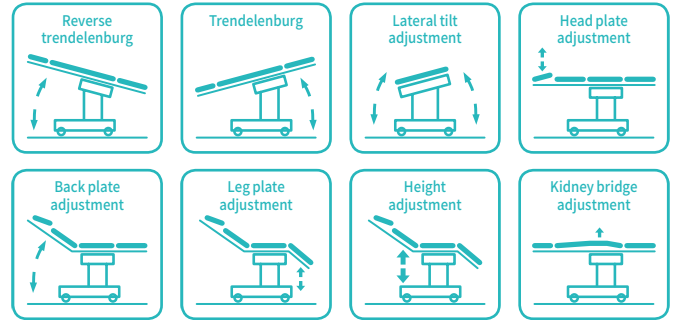
HWAM051C-2

OPERATING TABLE



HWAM051C-2

FEATURES AND HIGHLIGHTS

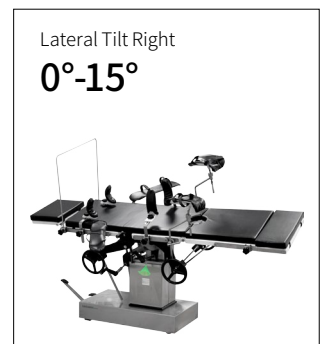
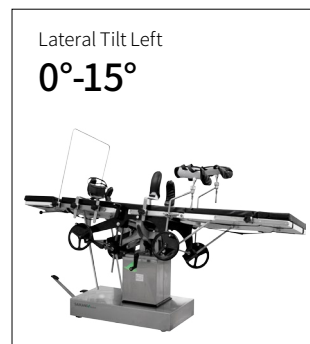
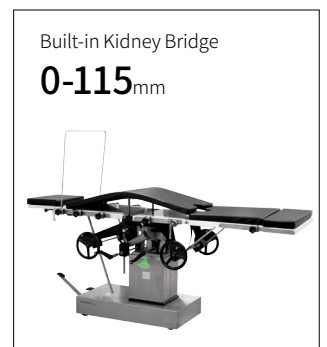
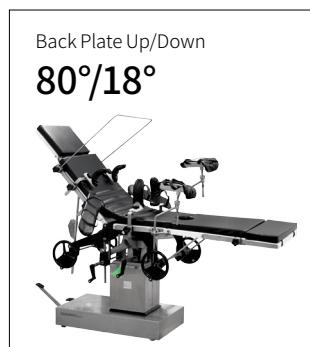


Technical parameters

External Size (LxWxH)	2000x480x790-1040 mm
Built-in Kidney Bridge	0-115 mm
Back Plate Up/Down	80°/18°
Head Plate Up/Down	45°/90°
Trendelenburg/Reverse Trendelenburg	20°/30°
Lateral Tilt Left/Right	15°/15°
Leg Plate Down	90°
Patient Weight Capacity	200 kg

Technical configuration

<input checked="" type="checkbox"/> Anesthesia Screen Frame	1pc
<input checked="" type="checkbox"/> Mattress	1set
<input checked="" type="checkbox"/> Kidney Bridge Handle	1pc
<input checked="" type="checkbox"/> Arm Support with Cushion	2pcs
<input checked="" type="checkbox"/> Leg Support with Cushion	2pcs
<input checked="" type="checkbox"/> Shoulder Support with Cushion	2pcs
<input checked="" type="checkbox"/> Body Support with Cushion	2pcs



Application

Various actions are controlled by hydraulic pneumatic system and mechanical driven system, all the adjustments of the table are performed on both sides of the table.

**Material**

The tabletop and outer cover can use carbon steel with plastic spraying or high quality stainless steel, based on your needs.

**Control System**

Foot treadle brake device which is easily for moving operating table.

**Built-In Kidney Bridge**

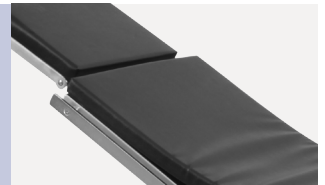
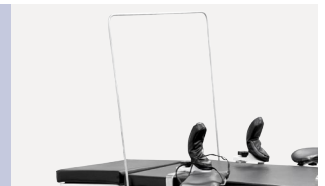
Built-In kidney bridge, more convenient and nice appearance.

**Hydraulic**

Foot step hydraulic elevating, Imported Y type sealing ring and is durable.

**Mattress**

The mattress is wrapped with imported artificial leather. High-density memory sponge is formed in one piece, with no seam.

**Shoulder Support with Cushion****Anesthesia Screen Frame****Arm Support with Cushion****Body Support with Cushion****Leg Support with Cushion**

Healthward[®]

As the circumstance of printing, the photos might have minor difference on color, tactile from real products.
As the update of design and improvement, parameters and outlook of products might change, thanks for understanding.



 17800 CASTLETON ST STE 180.CITY OF INDUSTRY CA 91748

 +1 (603) 416-3063 ·  24/7

 export@health-ward.com

 www.health-ward.com



General catalogue