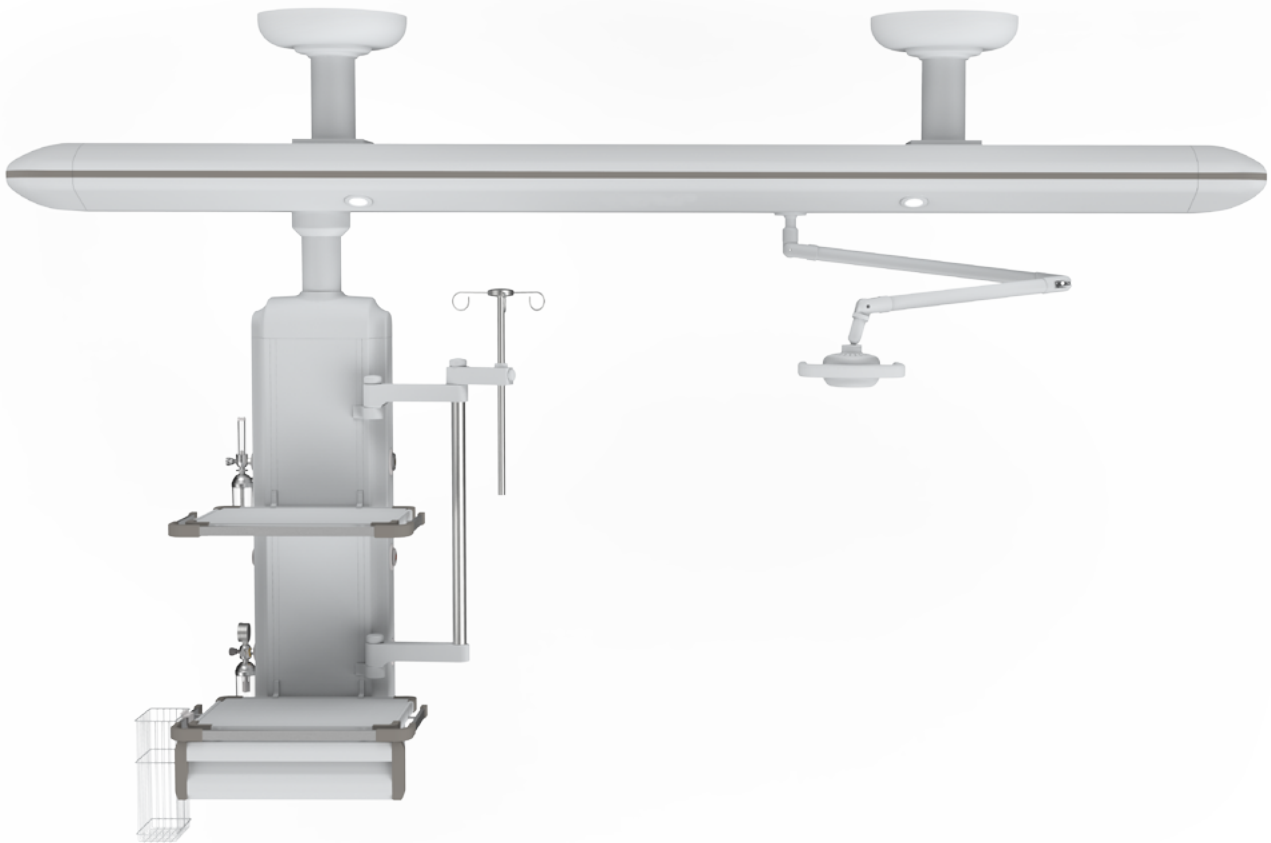


# HW-PQ002

MEDICAL BRIDGE CEILING PENDANT  
(INTEGRATION OF DRY AND WET AREAS)



# HW-PQ002

## FEATURES AND HIGHLIGHTS

The medical bridge ceiling pendant (Integration of dry and wet areas) is based on the separation of dry and wet, the two areas are combined into one, suitable for NICU and small nursing areas.

Product Application: Suitable for ICU, NICU, PICU, EICU room.

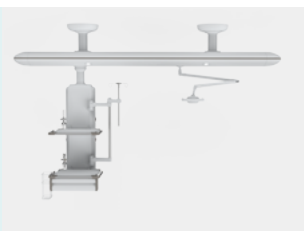
### Optional Accessories:

- \* Net basket - Stainless steel net basket
- \* We manufacturer and provide different standard of medical gas outlet: British Standard, American standard, German standard, French standard, Japanese Standard, etc.
- \* Different standard of medical gas outlets & adapters: British standard, French standard, German standard, Diss, Ohmeda, Chemetron, and etc.
- \* Inhalers - All kinds of oxygen inhalers (disposable, simple, external hanging, etc.)
- \* Negative pressure regulating valve
- \* Waste liquid collection device (external hanging type)
- \* The medical pendant is equipped with individual IV pole, built in interface of strong power& weak electronic. (Optional cantilever working lamp, monitor holder and surveillance camera in the place of IV pole)

## Material and Process

### Appearance Design

The design of bridge hanging style saves ground space; the whole bridge pendant is fully sealed, no sharp angle to prevent the impact.



### Painting

Imported plastic powder, electrostatic painting process, painting thickness 0.12mm, brightness 60°, paint can resist 50kg impact.



### Welding

Panasonic Robot ensure 360° full smooth welding.



### Material

The tensile strength of aluminum alloy frame is more than 295MPa, some connecting parts are made of cast iron  $\geq 200$ MPa, and the net load is more than 300kg; one-off extrusion molding, and the surface undergoes the primary oxidation treatment.



## Function

### Integration of Dry and Wet Areas

One medical pendant is equipped with medical gas. One part of the medical gas is located in the upper and lower areas, the other part of the medical gas is located in the left and right areas. The design is suitable for small nursing areas with two beds.



### Electric Translation System

The function column built-in Jiechang motor of model JC35D1, with SAA/TUV/PSE/CE/UL/KC certificates, ensure safety. Motor noise under 48dB, lifetime 20,000 times, electric translation distance 300mm; the horizontal translation in dry and wet areas, accurate positioning without drift, meeting requirements of different nursing.



### Suspension System

Medical pendant rotation angle 340°, built-in rotation limit device to prevent drift.



## Configuration

### Bridge Configuration

Two fixed LED lightings, 1 set of double cantilever folding working lighting; one power supply and one gas total valve.



### Drawer

Silent self-priming track, no damage after 10,000 times push-pull tests, and the handle position is integrally formed by pressing with mould.



### IV Pole with Four Hooks

The length of IV pole is 600mm, can be retractable, with four hooks, single hook can bear 4 kg.



### Medical Gas

It is equipped with medical gas on both sides of the cabinet and column. The following configurations can be customized,  
1. The number of medical gas  
2. Interface standard and position  
Gas port adopts secondary seal, three states (on, off, pull), support maintenance operations while it is working.



### Instrument Platform

The size of the table top is 450\*500mm, and the height of table surface can be adjusted. The table top is made of aluminum alloy panel with iron square tube inside, can bear  $\geq 50$ KG; with external aluminum alloy hanging frame.



### Equipotential Socket

Reduce the potential difference between indirect contact voltage and different metal parts.



As the circumstance of printing, the photos might have minor difference on color, tactile from real products.  
As the update of design and improvement, parameters and outlook of products might change, thanks for understanding.

# Healthward



 17800 CASTLETON ST STE 180.CITY OF INDUSTRY CA 91748

 +1 (603) 416-3063 ·  24/7

 export@health-ward.com

 www.health-ward.com



General catalogue