

# HWA3008A-1

## MANUAL OPERATING TABLE

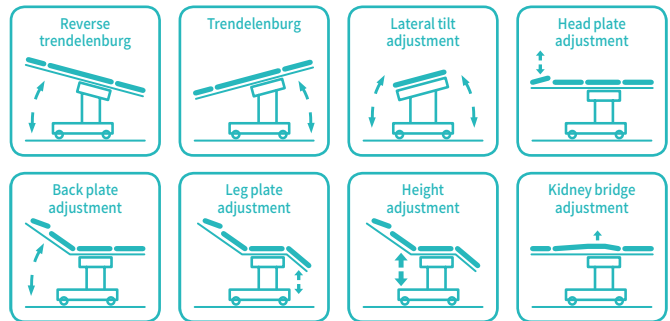


**Healthward**

Healthier  
your life

# HWA3008A-1

## FEATURES AND HIGHLIGHTS



### Technical parameters

External Size (LxWxH)	1940x480x770-1020 mm
Built-in Kidney Bridge	0-120 mm
Back Plate Up/Down	80°/10°
Head Plate Up/Down	60°/90°
Trendelenburg/Reverse Trendelenburg	25°/25°
Lateral Tilt Left/Right	20°/20°
Leg Plate Down	90°
Patient Weight Capacity	250 kg

### Technical configuration

<input checked="" type="checkbox"/> Anesthesia Screen Frame	1pc
<input checked="" type="checkbox"/> Mattress	1set
<input checked="" type="checkbox"/> Kidney Bridge Handle	1pc
<input checked="" type="checkbox"/> Arm Support with Cushion	2pcs
<input checked="" type="checkbox"/> Leg Support with Cushion	2pcs
<input checked="" type="checkbox"/> Shoulder Support with Cushion	2pcs
<input checked="" type="checkbox"/> Body Support with Cushion	2pcs
<input checked="" type="checkbox"/> Long Fixing Clamp	1pair
<input checked="" type="checkbox"/> Fixing Clamp	8pcs



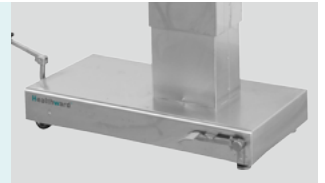
**Application**

This operating table is a comprehensive multi-function type, suitable for medical units to perform various operations, all movements are controlled by the manual cranks.



**Material**

The base, column and side holder are all made of high quality 304 stainless steel, which is anti-corrosive and can be easily cleaned.



**Control System**

Foot treadle brake device which is easily for moving operating table.



**Built-In Kidney Bridge**

Built-In kidney bridge, more convenient and nice appearance.



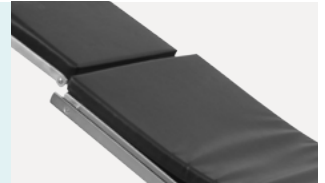
**Hydraulic**

The height adjustment controlled by hydraulic pump.



**Mattress**

PU cover, custom mattress, easy disassembly and cleaning, thickness of mattress: 6cm



**Shoulder Support with Cushion**



**Anesthesia Screen Frame**



**Arm Support with Cushion**



**Leg Support with Cushion**



**Body Support with Cushion**



As the circumstance of printing, the photos might have minor difference on color, tactile from real products.  
As the update of design and improvement, parameters and outlook of products might change, thanks for understanding.

# Healthward



 17800 CASTLETON ST STE 180.CITY OF INDUSTRY CA 91748

 +1 (603) 416-3063 ·  24/7

 export@health-ward.com

 www.health-ward.com



General catalogue