

# HWA205

## MANUAL OPERATION TABLE



# HWA205

## FEATURES AND HIGHLIGHTS

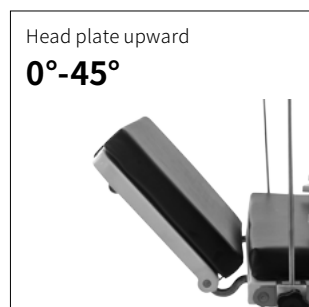
### Technical parameters

▪ External size (LxWxH):	2000x480x(700-960)mm
▪ Head plate up/down:	45°/90°
▪ Back plate up:	0-80°
▪ Leg plate down:	0-90°
▪ Safe working load:	150kg

### Technical configuration

<input checked="" type="checkbox"/> Arm support	2 pcs
<input checked="" type="checkbox"/> Leg support	2 pcs
<input checked="" type="checkbox"/> Body Support	2 pcs
<input checked="" type="checkbox"/> Shoulder Support	2 pcs
<input checked="" type="checkbox"/> Anaesthetic Screen	1 pc

### Professional functions



**Material**

Base structure is made of high-quality 304 stainless steel, robot welded with high strength and modern appearance. Table top is made of steel through epoxy painting, ASTM testing anti-bacterial.



**Mattress**

Removable memory mattress. Good resilience, anti-static, antibacterial, impact resistant.



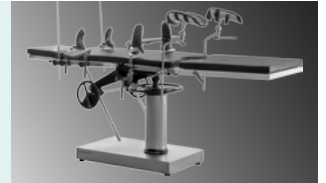
**Control System**

All the functions are manual controlled by screw and rack.



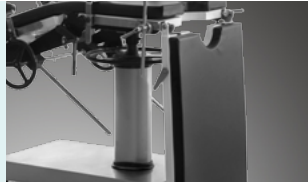
**Structure**

Full mechanical structure. Simple maintenance, low failure rate.



**Leg board**

Leg board can be folded down by adjusting the small handle. Leg board down: max. to 90°.



**Armrest**



**Anesthesia Frame**



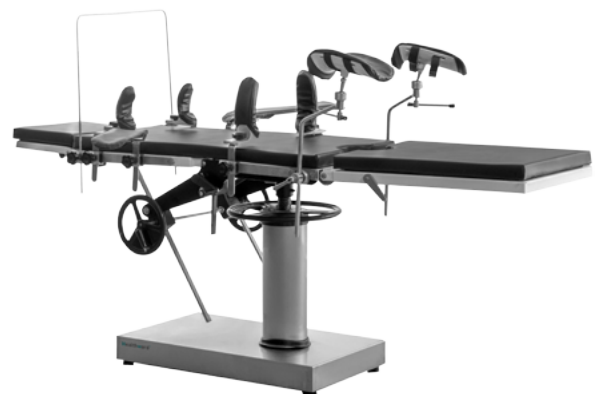
**Leg Crutches**



**Shoulder Support**



**Body Supporter**




As the circumstance of printing, the photos might have minor difference on color, tactile from real products.  
As the update of design and improvement, parameters and outlook of products might change, thanks for understanding.

# Healthward



 17800 CASTLETON ST STE 180.CITY OF INDUSTRY CA 91748

 +1 (603) 416-3063 ·  24/7

 export@health-ward.com

 www.health-ward.com



General catalogue